

Hay Burners Equine “Tub Topper” installation instructions

What’s Included:

- “Tub Topper” slow feed net with elastic cord
- Cable Ties (8) *Fastening option 1
- Tie Cords (8) *Fastening option 2
- Buckle Strap assemblies (3)

What’s Required:

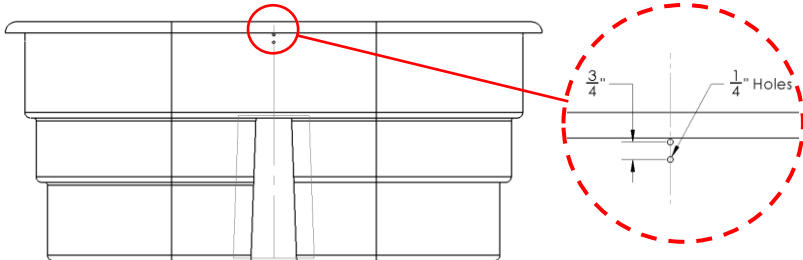
- A 100 or 150 gallon Rubbermaid water tub.
** illustrations reflect installation on 100 gallon tub**

Suggested tools (not provided):

- Power drill and $\frac{1}{4}$ ” drill bit
- Marker or Pencil
- Measuring tape or ruler
- Side Cutters (optional)

Step 1 (Back of Tub)

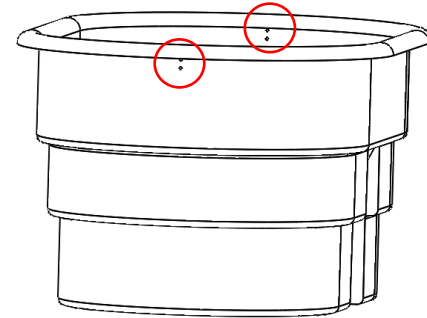
- Mark a point at the center of the tub back (opposite the Rubbermaid logo) just below the curved lip of the tub.
- Mark a 2nd point $\frac{3}{4}$ ” directly below the previously marked point.
- Using a $\frac{1}{4}$ ” drill bit, drill holes through the tub at the previously marked points indicated by the red circle.



Back of 100 Gallon Tub

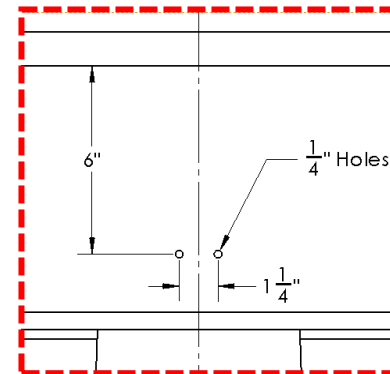
Step 2 (Ends of Tub)

- Repeat step 1 at the center of both rounded ends of the tub indicated by the red circles.



Step 3 (Front of Tub)

- Mark the center point of the tub front (side with Rubbermaid logo) 6” down from the curved lip of the tub.
- Mark a point $\frac{9}{16}$ ” on either side of the center mark. This will result in marks 1- $\frac{1}{4}$ ” apart.
- Using a $\frac{1}{4}$ ” drill bit, drill 2 holes through the tub.



Front of Tub
(partial view)

Step 4 (Front of Tub)

- Using a cable tie provided fasten the Buckle Strap to the tub through the holes created in Step 3.



Drill 2 more sets of holes 6" down as described, approximately where shown relative to the gusset in the tub wall. Attach the remaining 2 Buckle Straps.

Step 5 (Ends of Tub)

- Using either the cable ties or tie cords provided (depending on preference) Feed the desired fastening method through the holes in the tub at 3 locations. Two at each of the rounded ends position and the other at the center back position.



Step 6

- Locate the colored tag on the Tub Topper net. These tags indicate the center position of the net that must be placed at the center of the rounded ends of the tub.
- Using the Cable Ties or optionally, the Tie Cords, fasten the net capturing the net material and elastic cord. **With either method it is recommended to secure the net and cord loosely.** It is recommended to start at one of the rounded end positions then the center back position and finally the other rounded end position.



- When using the Cable Ties snip off the remaining end extending from the clinching feature of the tie using the side cutters.

Step 7

- Grab the net at the elastic cord and pull it over the front of the tub to complete the installation.
- Feed the Buckle Straps around the net and elastic cord and snap the buckles together to secure the net.
- To fill the tub simply unclasp the buckle straps, grab the net near the lip of the tub at the front and pull out and up to manage the elastic cord over the lip of the tub.
- Flip the loose net material over the back of the tub to open an area large enough to place a bale into the tub.